

## **GEPV-085** 85 WATT PHOTOVOLTAIC MODULE

### FEATURES

- 36 single-crystal cells connected in series
- Peak power of 85 watts at 18.4 volts
- Designed for optimum use in off grid battery charging applications
- 25-year limited warranty on power output, 5-year limited warranty on materials and workmanship\*
- Junction box is conduit-ready with terminal strip connectors

### BENEFITS

- Output power tolerance of +/- 5%
- Robust lightweight anodized aluminum frame with pre-drilled holes for quick installation

### CERTIFICATIONS

The GEPV-085 Module meets the following requirements:



UL-1703



IEC-61215

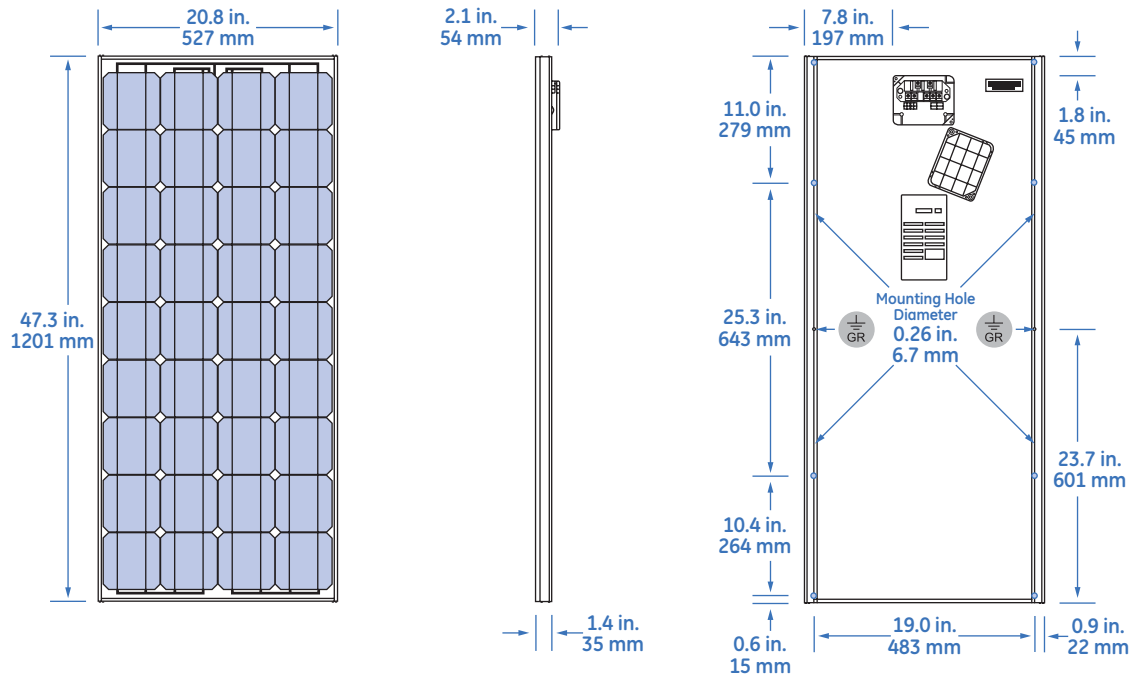


\*Refer to GE Energy Product Warranty for specific details



imagination at work

## PHYSICAL CHARACTERISTICS

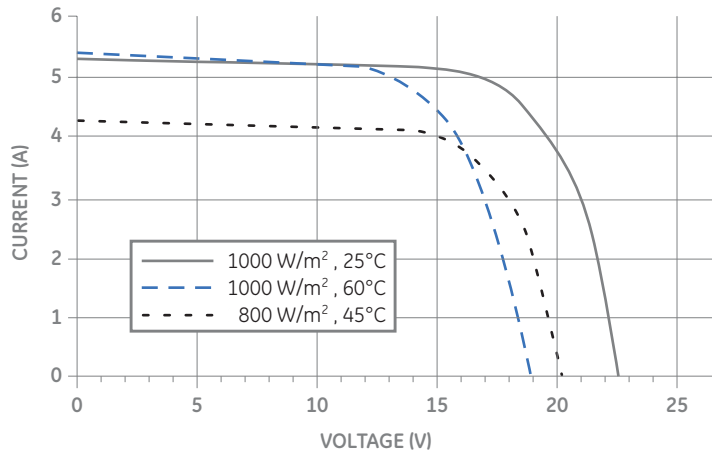


### Physical Design Properties

Weight	18.1 lb [8.2 kg]
Weight (Wind) Bearing Potential	50 lbs/ft <sup>2</sup> [125 mph equivalent]
Hailstone Impact Resistance	1" @ 50 mph [25 mm @ 80 kph]

## ELECTRICAL PERFORMANCE

### Typical IV Curve for GE PV-085 Module



### Typical Performance Characteristics

Peak Power (Wp)	Watts	85
Max. Power Voltage (Vmp)	Volts	18.4
Max. Power Current (Imp)	Amps	4.8
Open Circuit Voltage (Voc)	Volts	22.0
Short Circuit Current (Isc)	Amps	5.2
Short Circuit Temp. Coefficient	mA/°C	+4.2
Open Circuit Voltage Coefficient	V/°C	-0.07
Max. Power Temp. Coefficient	%/°C	-0.5
Max. Series Fuse	Amps	10
Normal Operating Cell Temperature [NOCT]	deg. C	45

I-V parameters are rated at Standard Test Conditions (Irradiance of 1000 W/m<sup>2</sup>, AM 1.5G, cell temperature 25°C). As with all single-crystal PV Modules, during the stabilization process that occurs during the first few days in service, module power may decrease approximately 3% from typical maximum power due to a phenomenon known as Light Induced Degradation (LID). All measurements are guaranteed at the laminate leads. NOCT is defined as 800 W/m<sup>2</sup>, 20 deg. C ambient, and 1 m/s windspeed.



GE Energy  
231 Lake Drive  
Newark, DE 19702  
866-750-3150

[gepower.com/solar](http://gepower.com/solar)